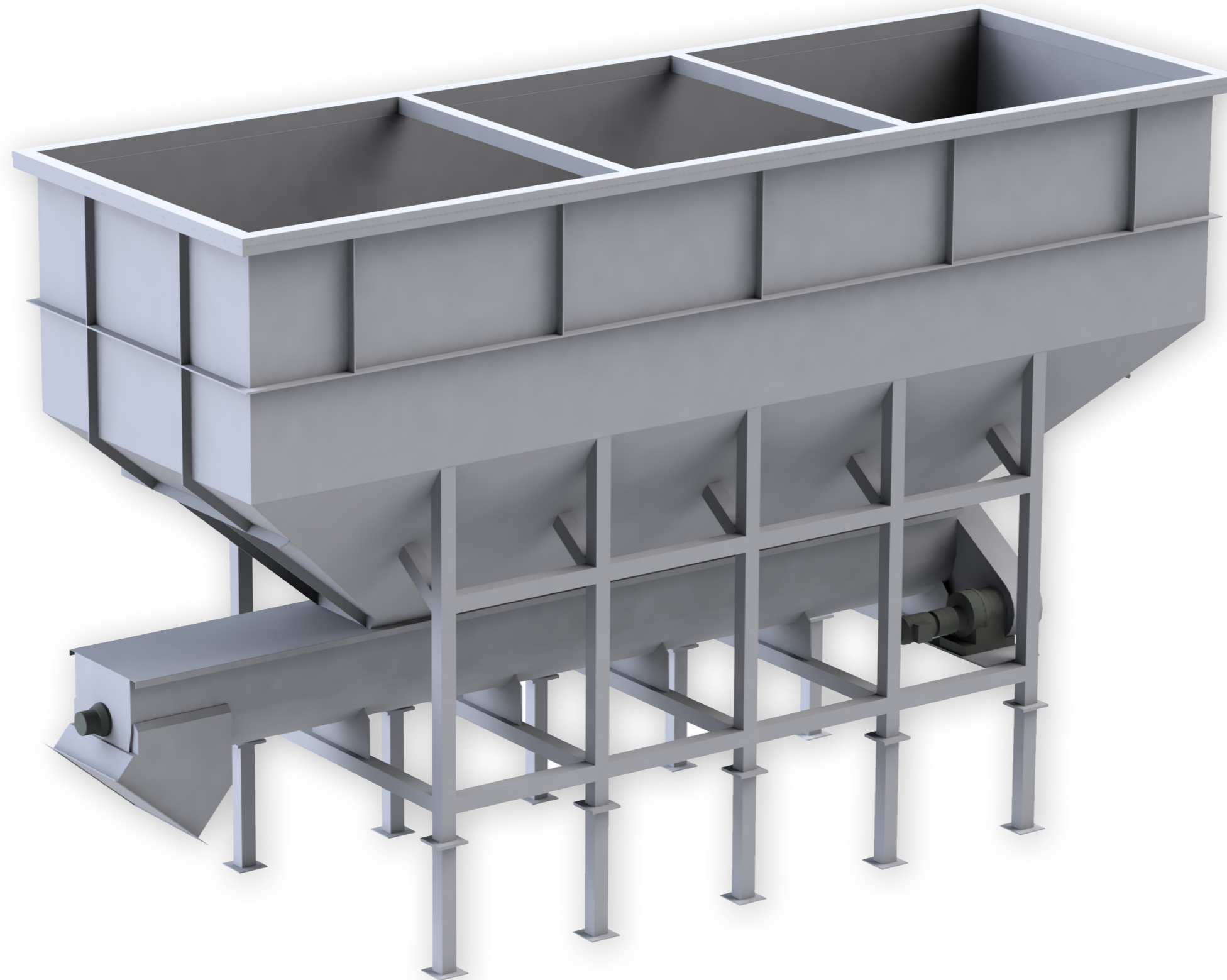




**HERMION**

Plastic Recycling Technology

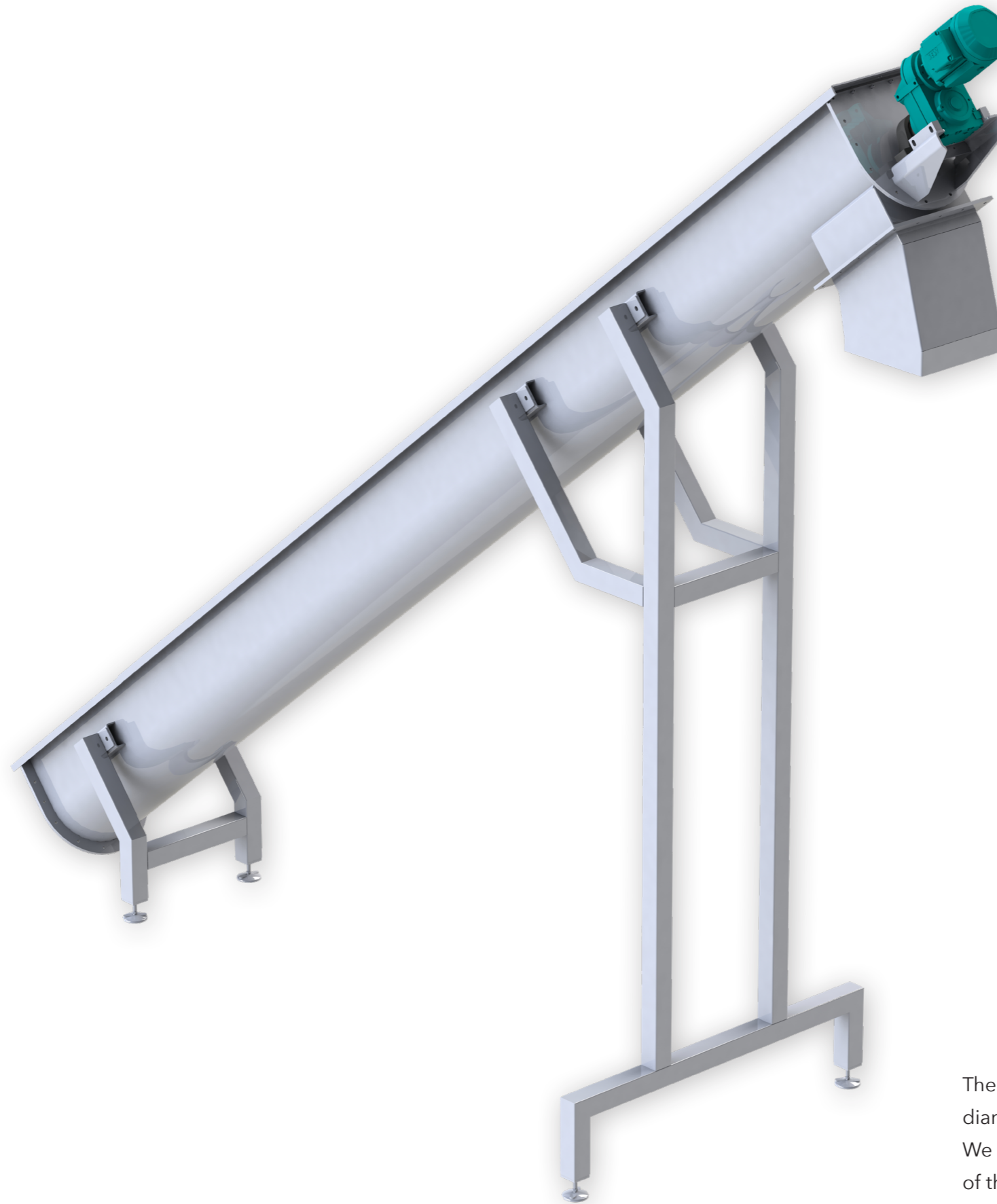
Single machines  
and spare parts



The **In Feed Bunker** is built in a range from 3 to 15 cubic meters. We can adapt the specifications for better reach the expectations of the client.

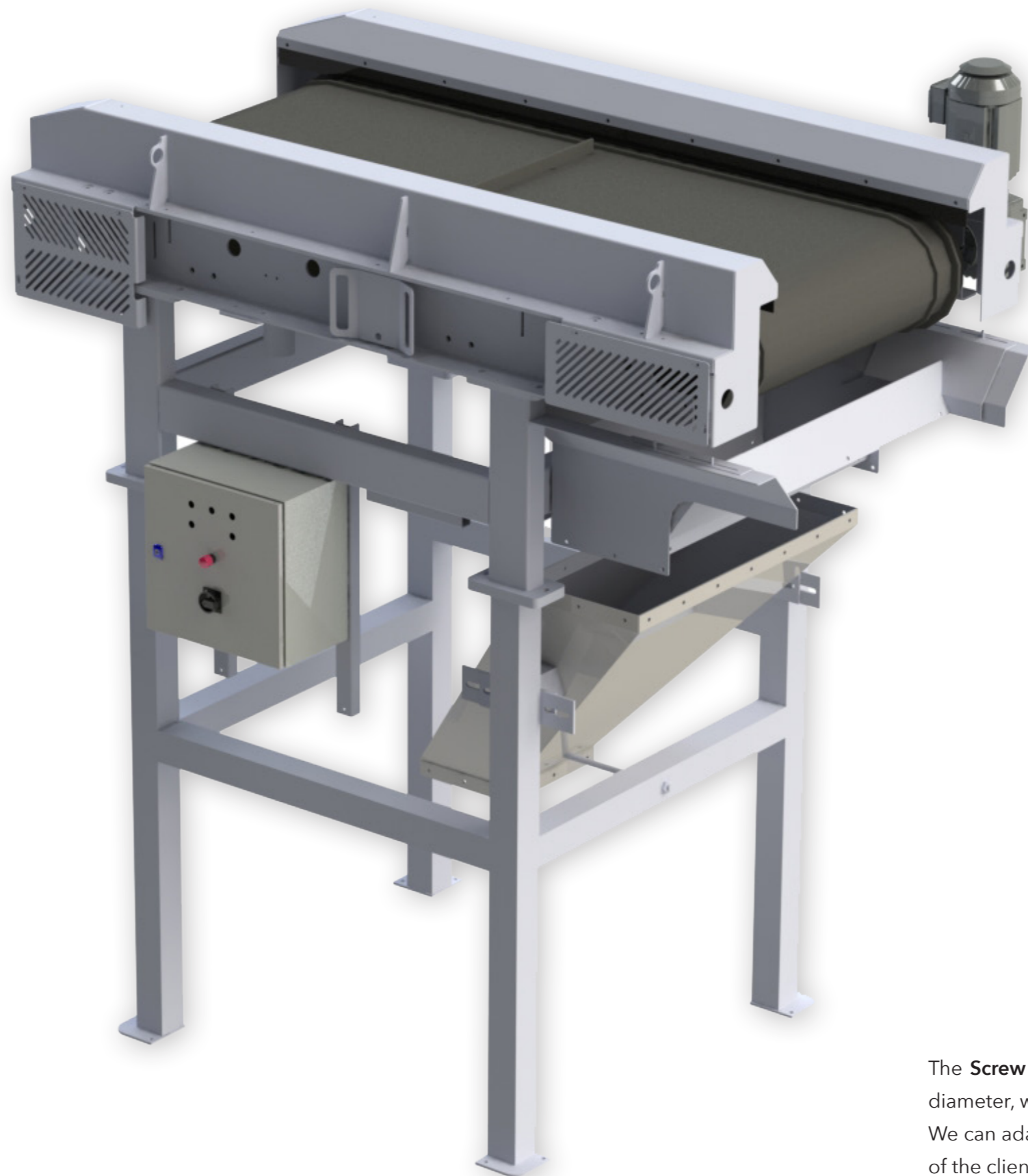


The **Belt conveyor** is built in a range from 500mm to 1500mm wide. We can adapt the specifications for better reach the expectations of the client.



The **Screw conveyor** is built in a range from 300mm to 800mm diameter, with a maximum\* of 6m long. We can adapt the specifications for better reach the expectations of the client.

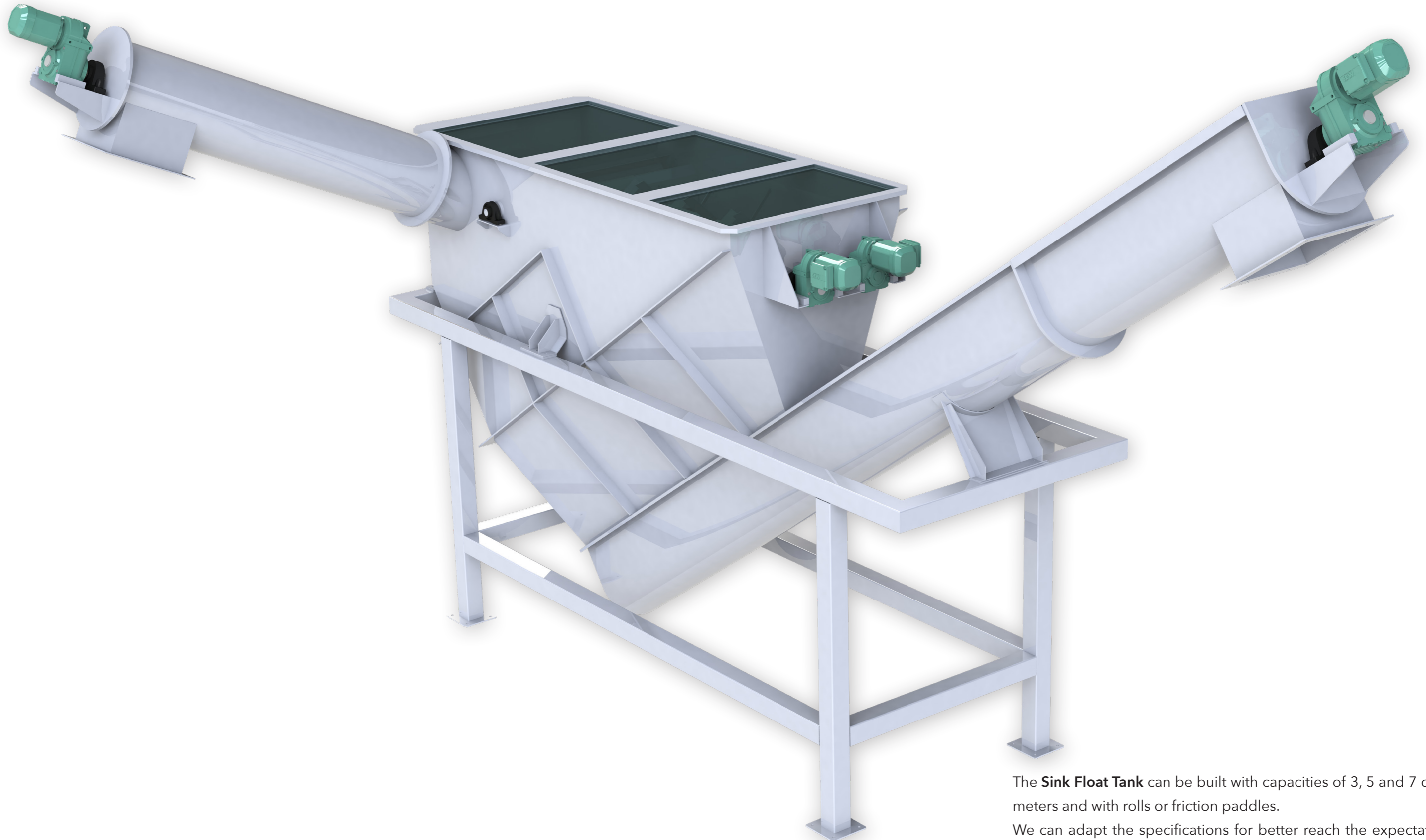




The **Screw conveyor** is built in a range from 300mm to 800mm diameter, with a maximum\* of 6m long. We can adapt the specifications for better reach the expectations of the client.



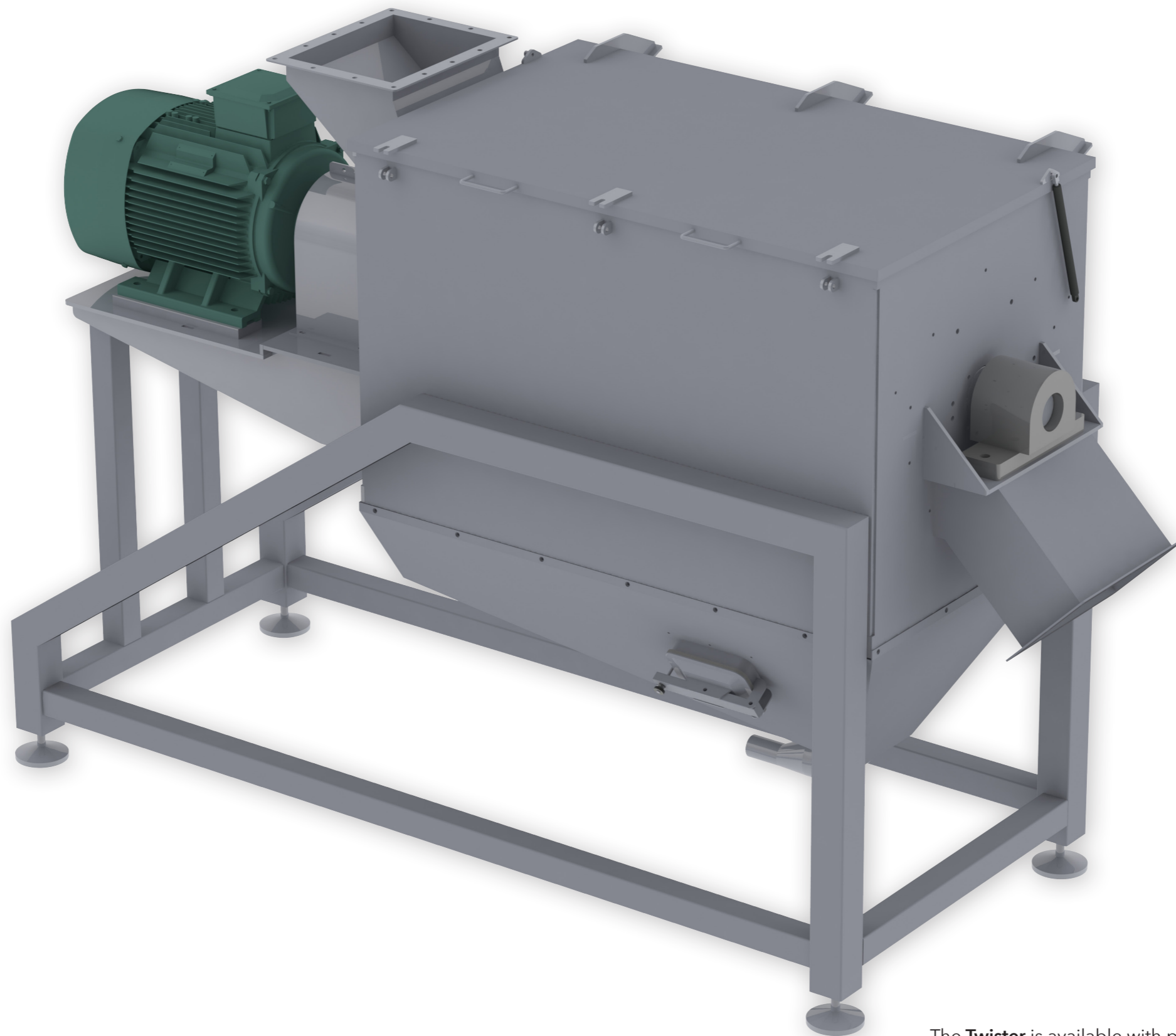
The **Shredders** can be built with two or four shafts and with different amount of blades. We can adapt the specifications for better reach the expectations of the client.



The **Sink Float Tank** can be built with capacities of 3, 5 and 7 cubic meters and with rolls or friction paddles.

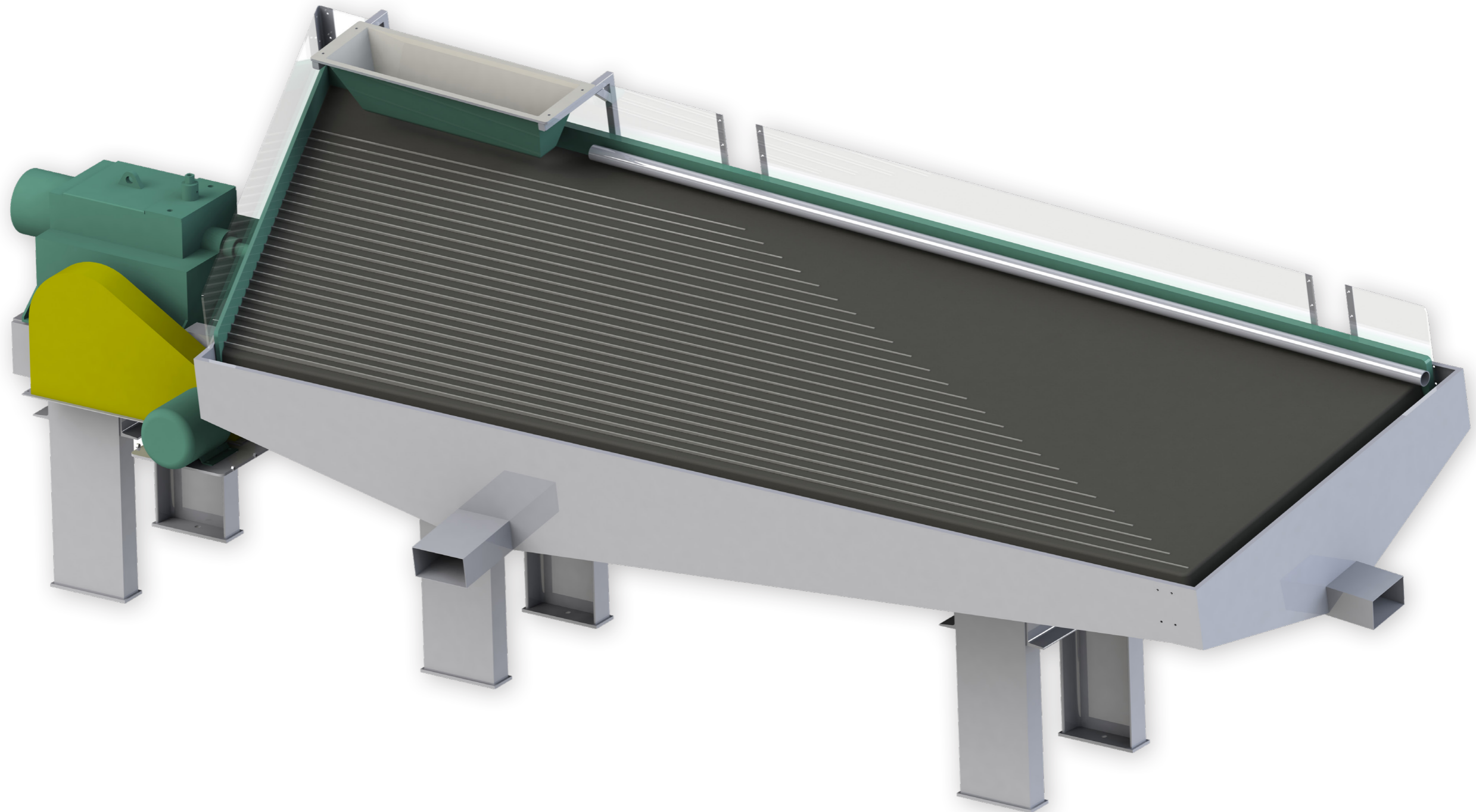
We can adapt the specifications for better reach the expectations of the client.





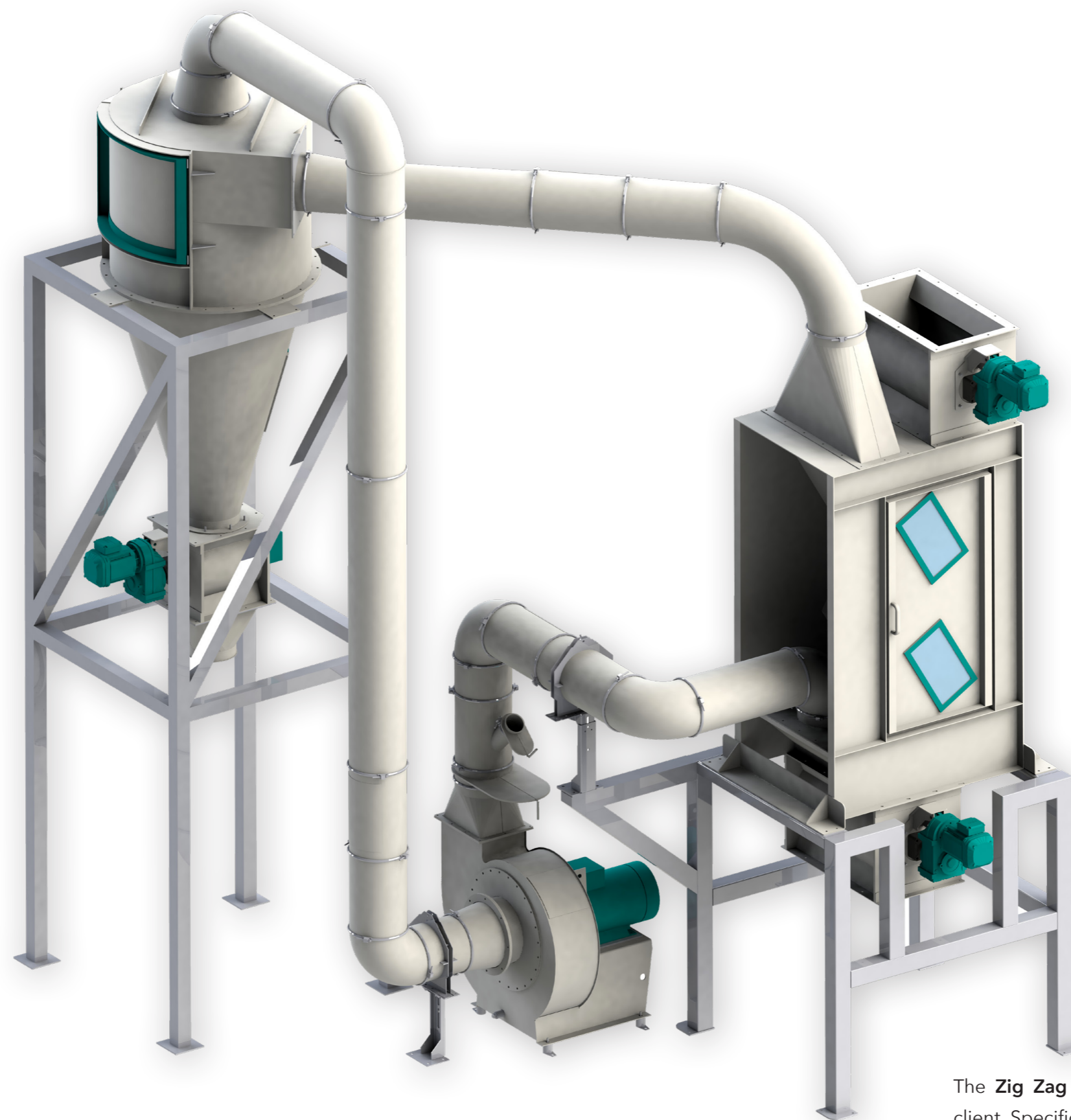
The **Twister** is available with powers of 22, 37, 55 and 75Kw.  
We can adapt the specifications for better reach the expectations of  
the client.



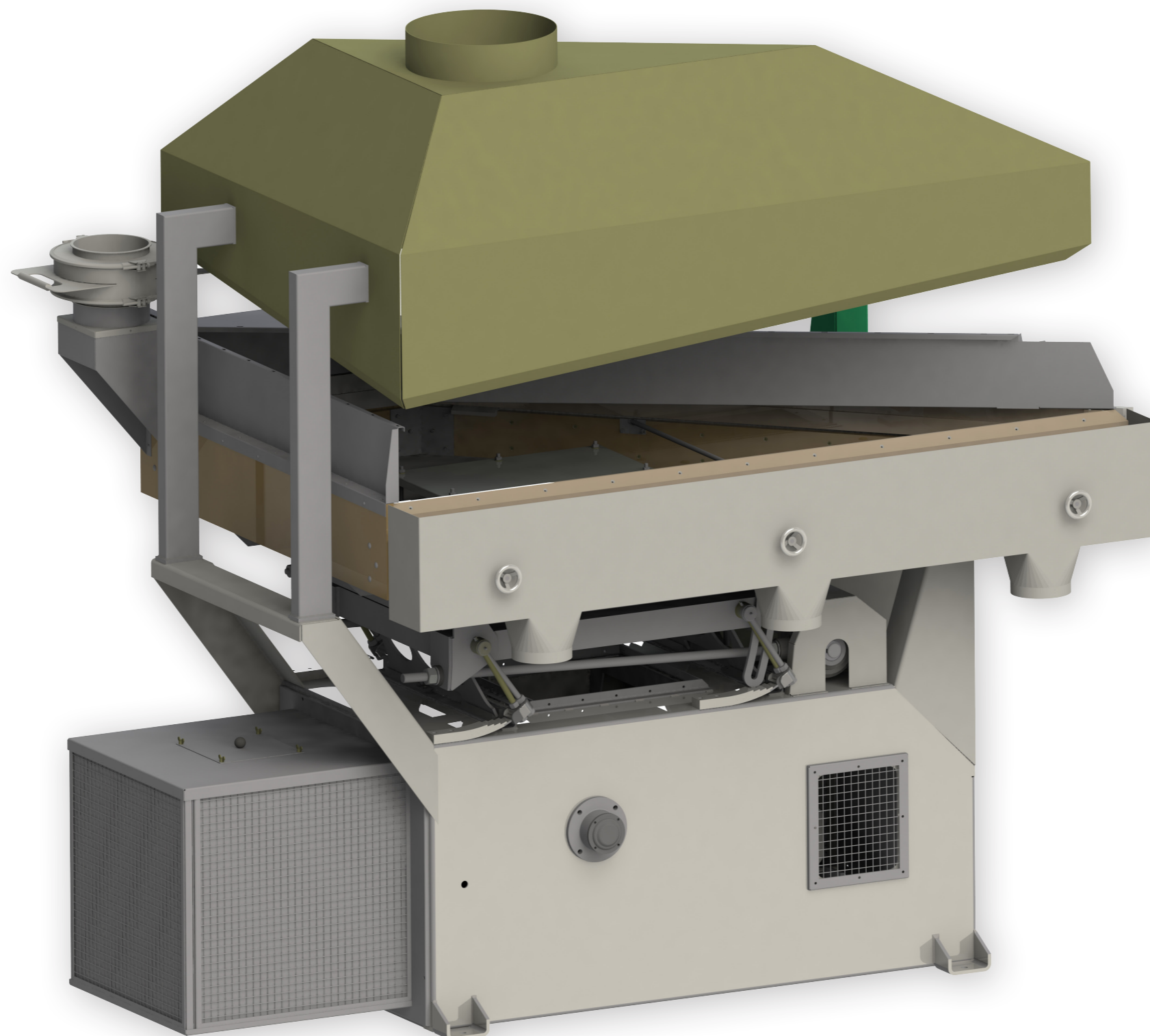


The **Water Table** can process 2,5 ton per hour depending of the kind and size of material.

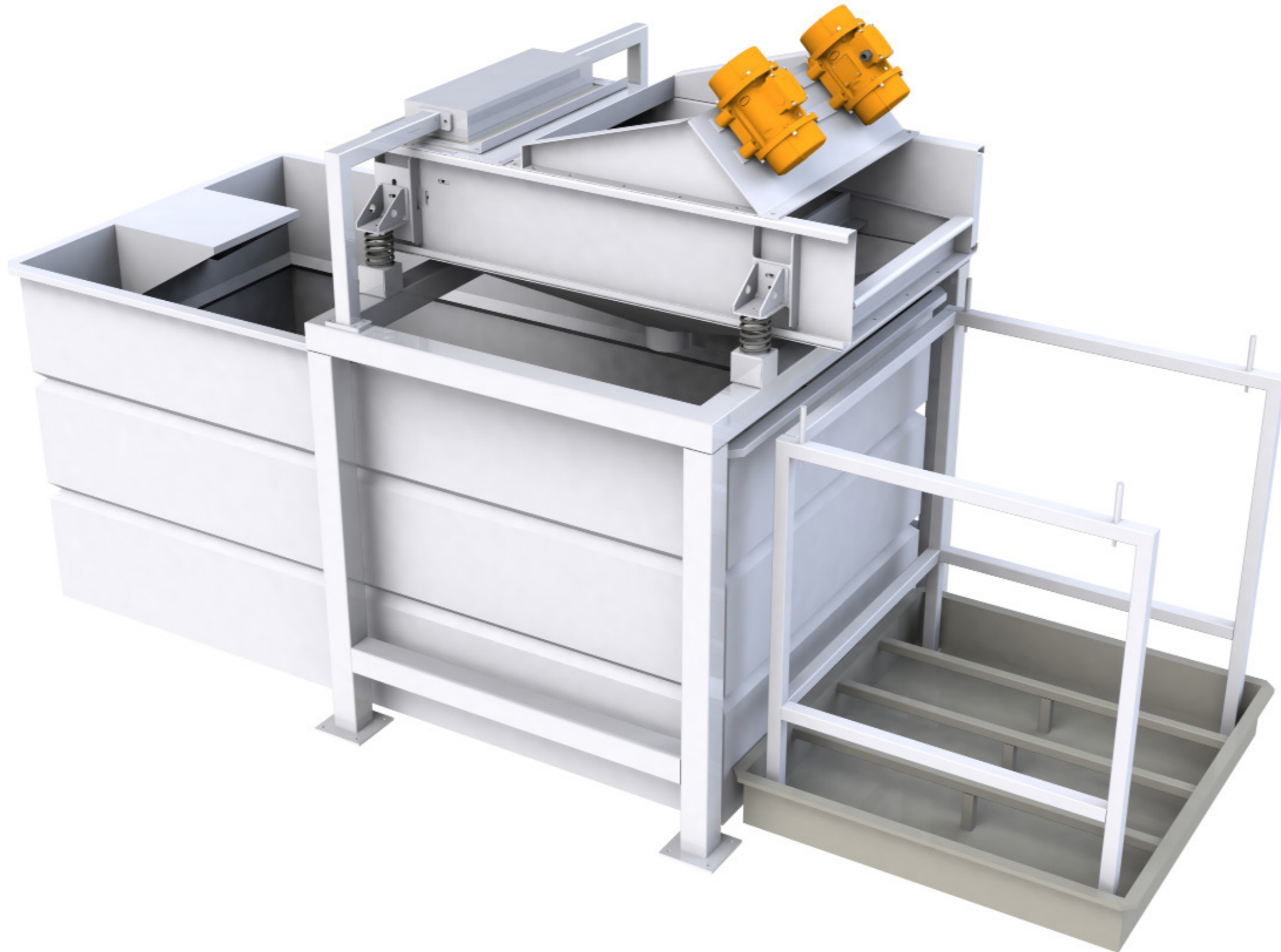
We can adapt the specifications for better reach the expectations of the client.



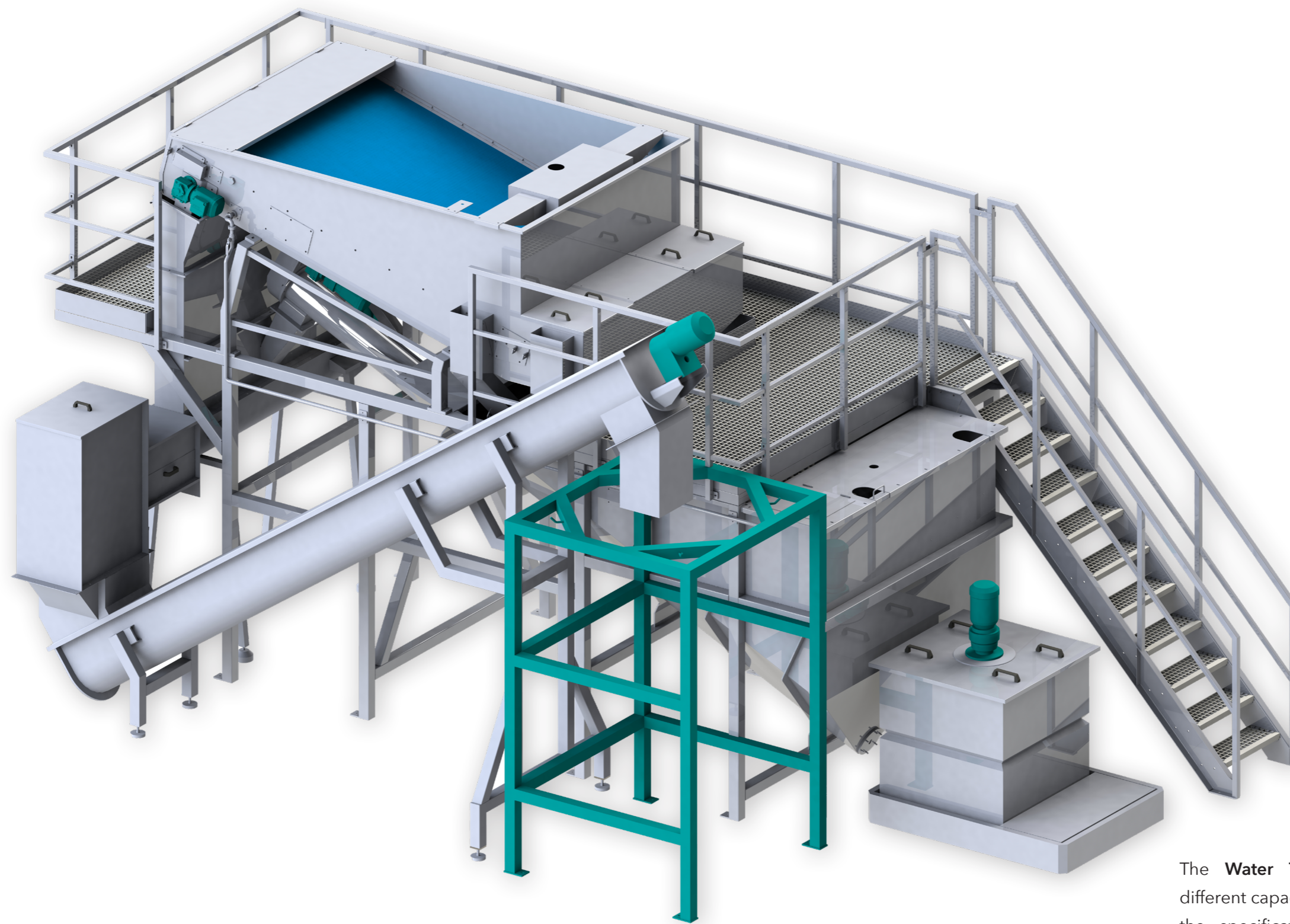
The **Zig Zag** is bespoke for covering the necessities of the client. Specifications depends on material and quantities to be processed.



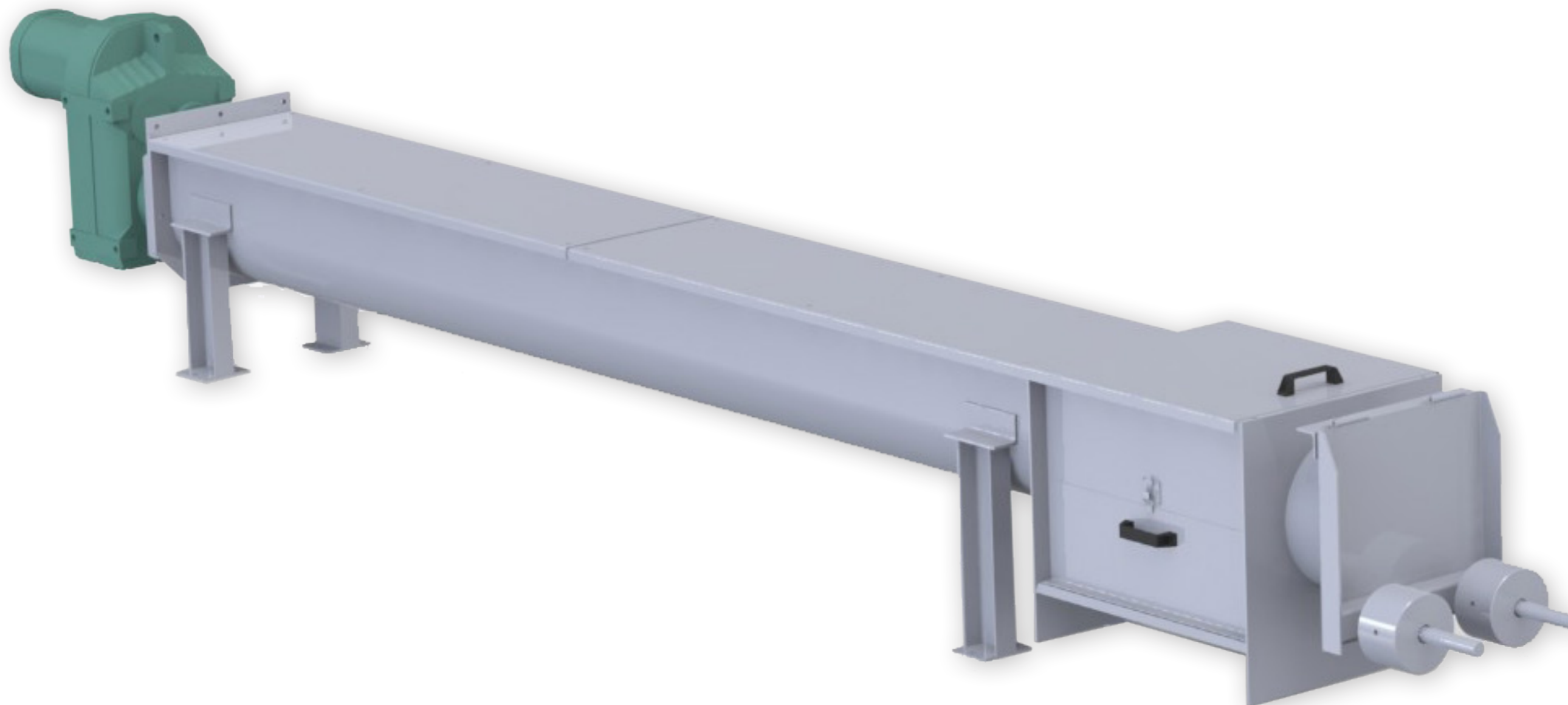


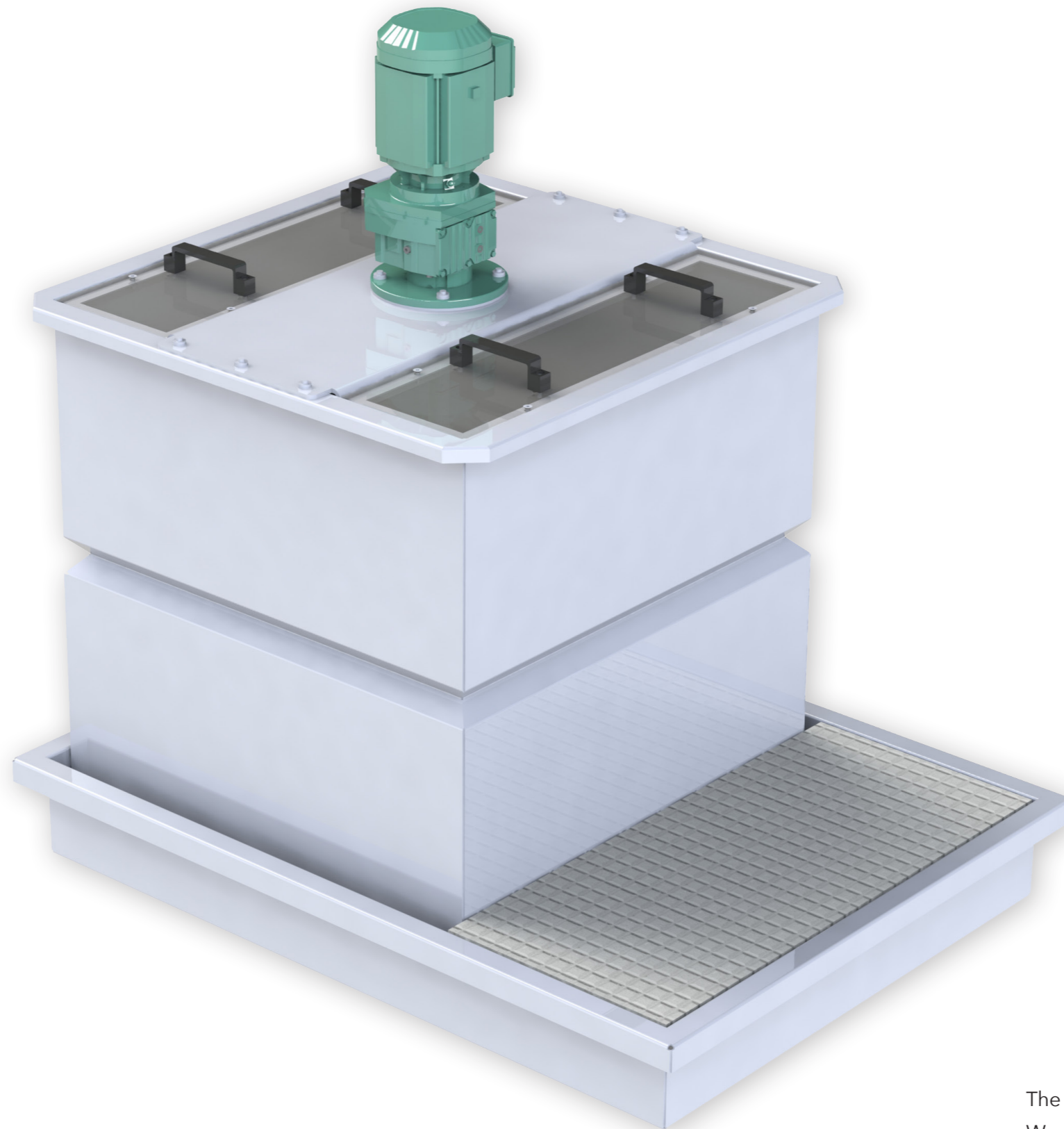






The **Water Treatment** is built with 2 different capacities and sizes. We can adapt the specifications for better reach the expectations of the client.





The **Mixer** is built with an standard capacity of 1m<sup>3</sup>.  
We can adapt the specifications for better reach the expectations  
of the client.





The **Silo** is bespoke for covering the necessities of the client. Different shapes, sizes, with or without conveyors. We can adapt the specifications for better reach the expectations of the client.





**Twister Screen**



Moving Blade



Static Blade

**Blades**



Tungsten carbide layer

**Twister Paddles**

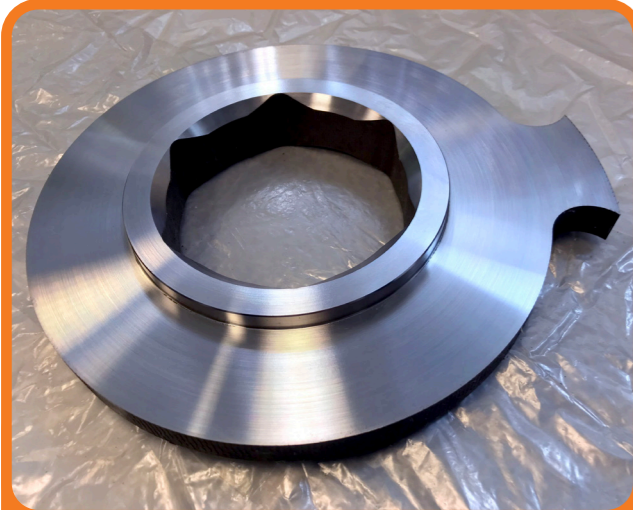


Manganese Steel

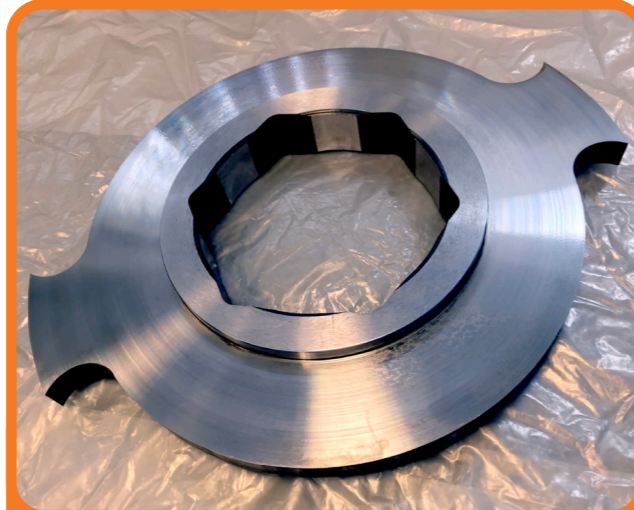


Stainless Steel

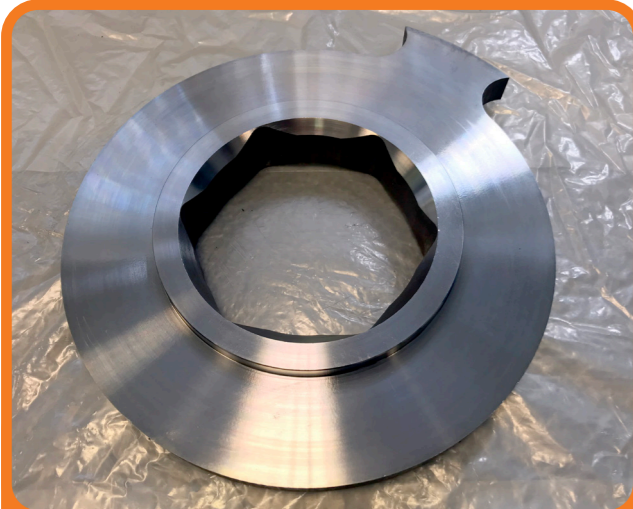




RS40 Primary Cutter 0°



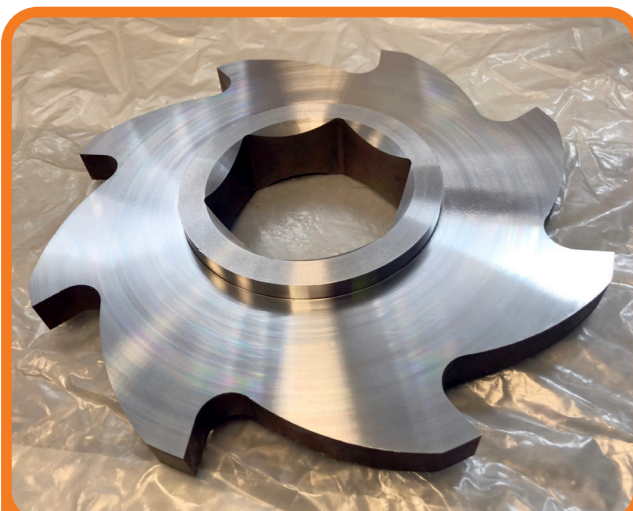
RS60 Primary Cutter 0°



RS40 Primary Cutter 90°



RS60 Primary Cutter 90°



RS40 Secondary Cutter



RS60 Secondary Cutter

**Cutters**

Product	Code	Machine	Material
Paddle	HTW22P-SS	Twister 22	Stainless Steel
Paddle	HTW22P-MS	Twister 22	Manganese Steel
Paddle	HTW22P-TC	Twister 22	Tungsten Carbide
Paddle	HTW55P-SS	Twister 55	Stainless Steel
Paddle	HTW55P-MS	Twister 55	Manganese Steel
Paddle	HTW55P-TC	Twister 55	Tungsten Carbide
Screen	HTW22SCSS-T4H2CC4	Twister 22	Stainless Steel
Screen	HTW22SCSS-T4H2CC6	Twister 22	Stainless Steel
Screen	HTW22SCSS-T4H3CC6	Twister 22	Stainless Steel
Screen	HTW55SCSS-T5H2CC4	Twister 55	Stainless Steel
Screen	HTW55SCSS-T5H2CC6	Twister 55	Stainless Steel
Screen	HTW55SCSS-T5H3CC6	Twister 55	Stainless Steel
Screen	HTW55SCMS-T6H4CC6	Twister 55	Manganese Steel
Cutter	HRS40PC00	Shredder RS40	Stainless Steel
Cutter	HRS40PC90	Shredder RS40	Stainless Steel
Cutter	HRS40SC	Shredder RS40	Stainless Steel
Cutter	HRS60PC00	Shredder RS60	Stainless Steel
Cutter	HRS60PC90	Shredder RS60	Stainless Steel
Cutter	HRS60SC	Shredder RS60	Stainless Steel
Knife	HMB	Grinder	Stainless Steel
Knife	HSB	Grinder	Stainless Steel



